

Pallet Half-Moon Cradle

A tutorial by Jochem Dijkstra: <https://www.youtube.com/watch?v=elHkMd1za2o>

Inspired from « Le Berceau Lune d'Heidi » by Crème Anglaise: <http://cremeanglaise.bigcartel.com/product/mini-royal-bird-a-pois>



OVERVIEW



3 PALLETS



8 HOURS



HARD





GATHER YOUR SUPPLIES

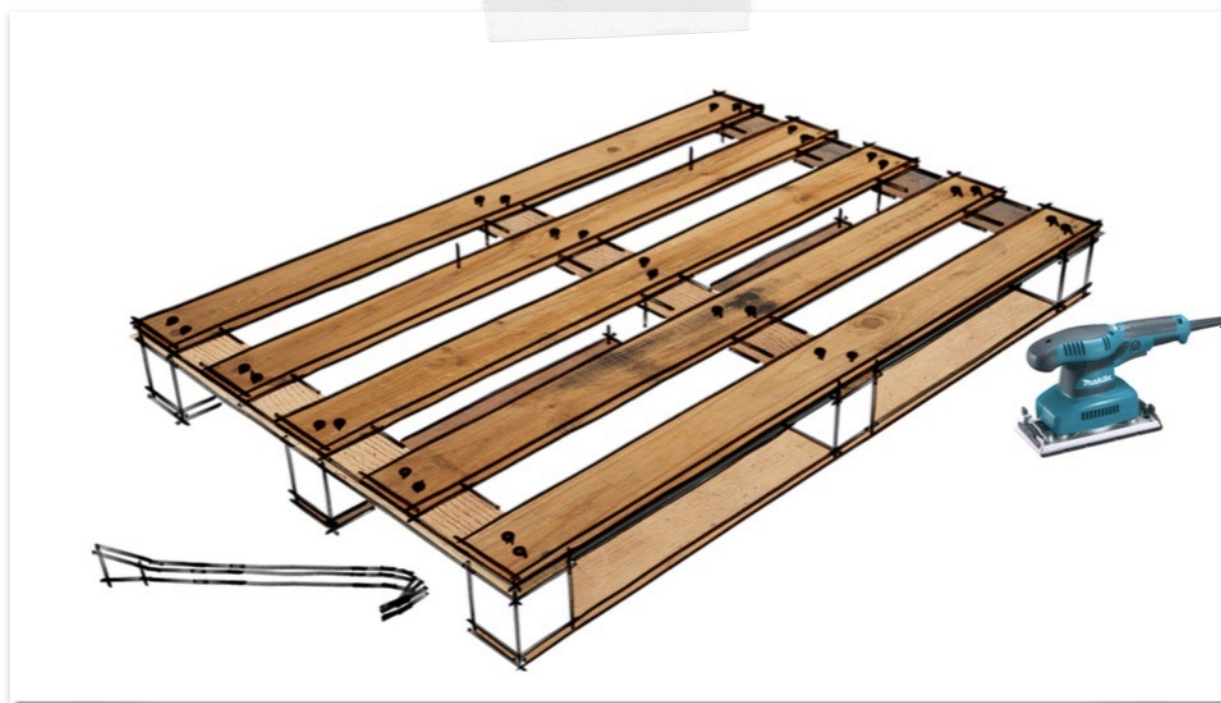
- Tools needed: A crowbar, a jigsaw, a hammer, a screwdriver, a sander, wood screws.
- You will also need: 3 pallets, a MDF board: 122x244cm (48x96inches) and 15mm thick.



HERE IS HOW

PREPARATIONS

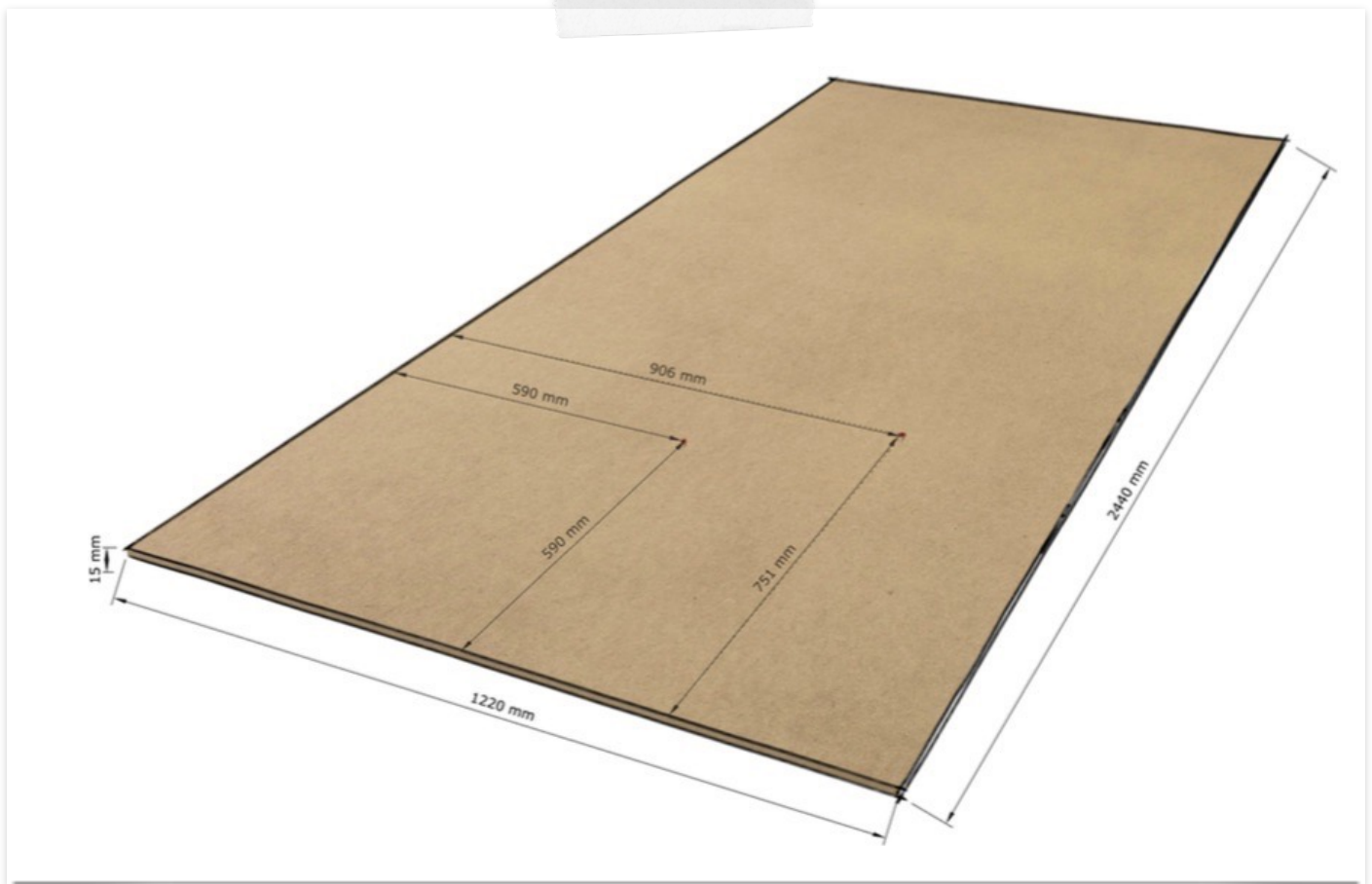
- ▶ Disassemble the pallets with a crowbar, hammer and a big screwdriver (for more methods, visit: <http://www.1001pallets.com/how-to-dismantle-a-wooden-pallet/>)
- ▶ Start sanding the rough wood.



STEP 1

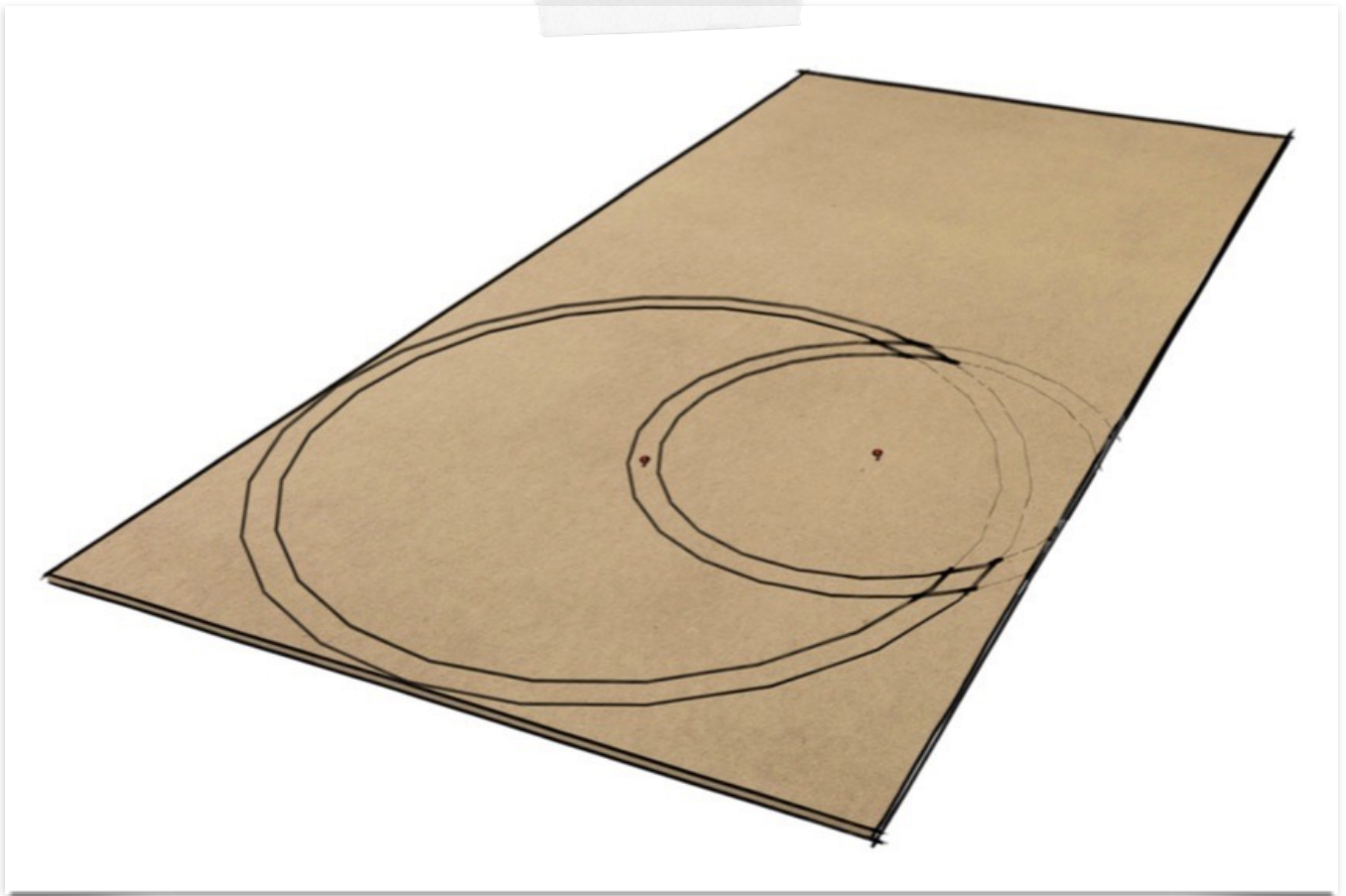
Take the piece of MDF (122x144cm, 48x96inches) and set out the center point for the circles as defined in the below illustration:

- ▶ First center point at 590mm (23.22inches) from the bottom & left sides,
- ▶ Second point at 751mm (29.57inches) from the bottom side & 906mm (35.67inches) from the left side.



STEP 2

- ▶ Draw the two outer circles from the center point,
- ▶ The big circle has a radius of 585mm (23.03inches)
- ▶ The small circle has a radius of 380mm (14.96inches)
- ▶ Draw the two inner circles with a radius of 45mm (1.77inches) less than the outer circles:
 - ▶ 540mm (21.26inches) for the big inner circle
 - ▶ 335mm (13.19inches) for the small inner circle



TIPS

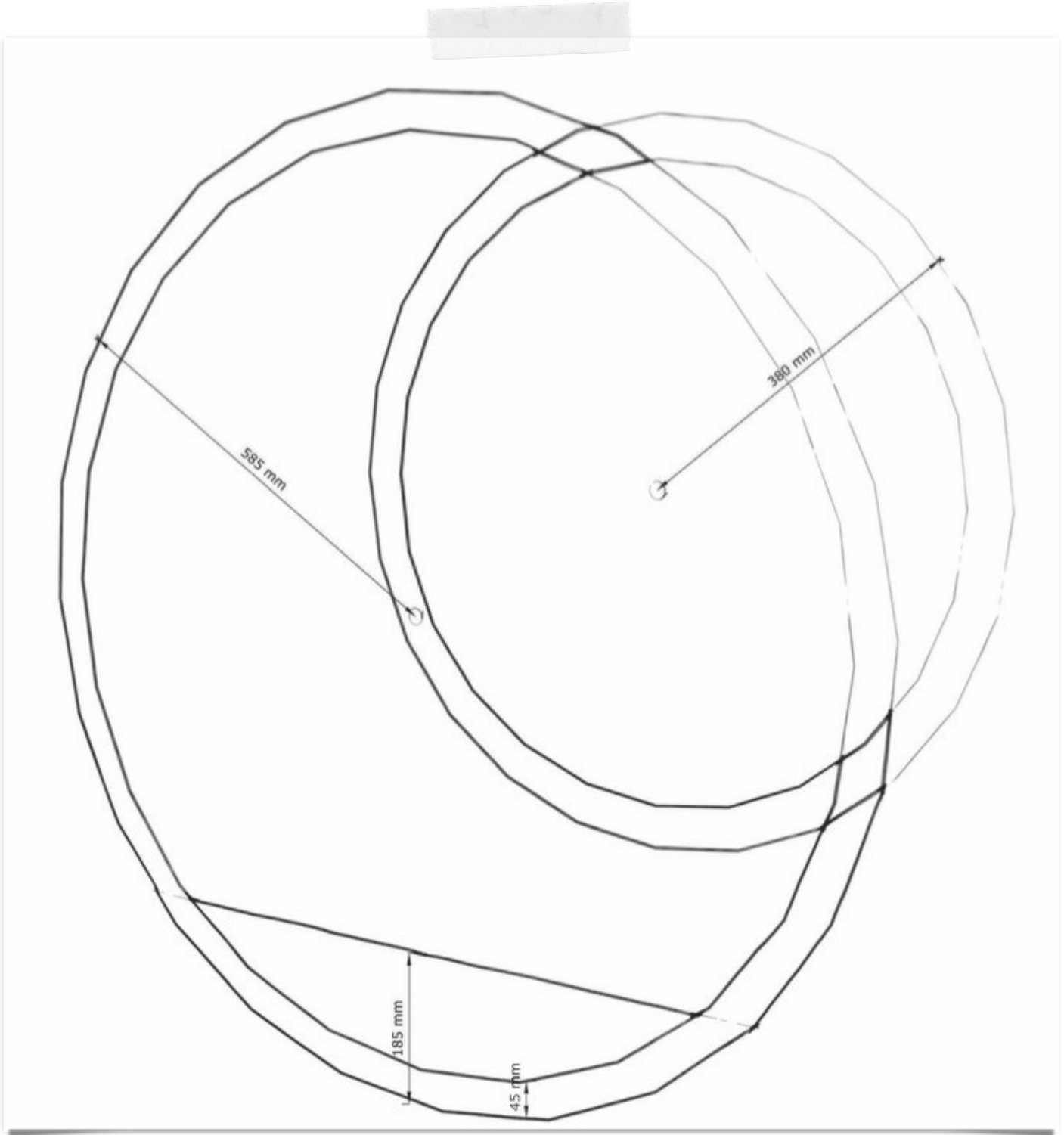
The best way to draw a circle is to take a small piece of wood of at least 600mm (23.62inches) long. Drill a hole where you can put a pencil in. Screw the end of the plank slightly at the center point of the circle and draw the perfect circle.

STEP 3

Determine where the bottom of your cradle has to come. I put mine 185mm (7.28inches) from the bottom of the circle, so the bottom is around 840mm (33.07inches) long for the mattress to fits easily.

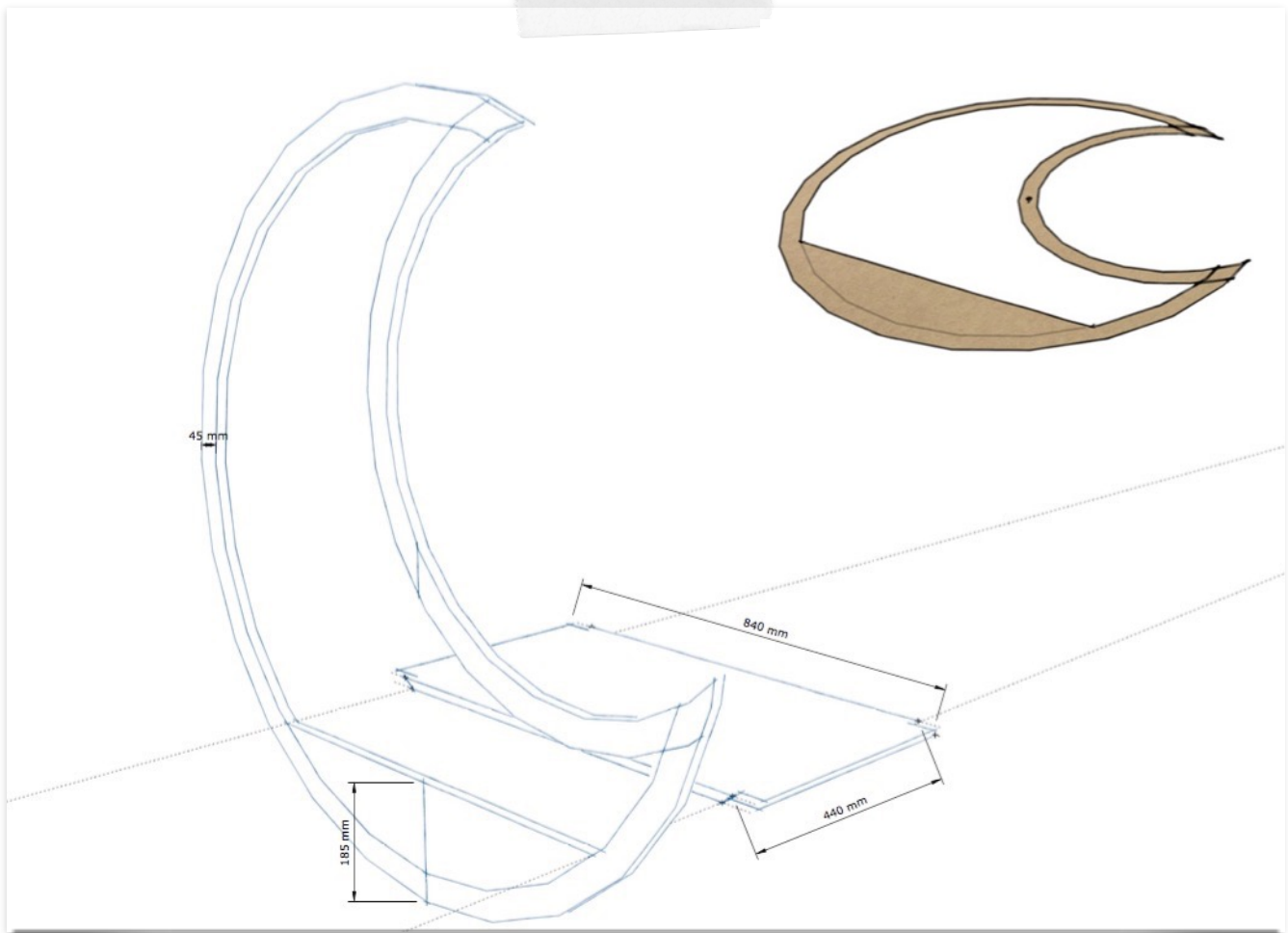


BASE DIMENSIONS OF THE MOON CRADLE



STEP 4

- ▶ Cut out the moon-shaped base with a jigsaw,
- ▶ Repeat these steps to make another base of the same size. You should be able to make the two moon-shaped bases in the same sheet of MDF.
- ▶ Sand the base so it has no sharp edges, specially on the inside.



STEP 5

- ▶ Cut out the bottom of the crib from a piece of plywood or MDF: 440x867mm (17.32x34.13inches)
- ▶ Cut in the edges so it can fit within the moon-shaped frame,
- ▶ You can drill some large holes in the bottom for ventilation of the mattress.



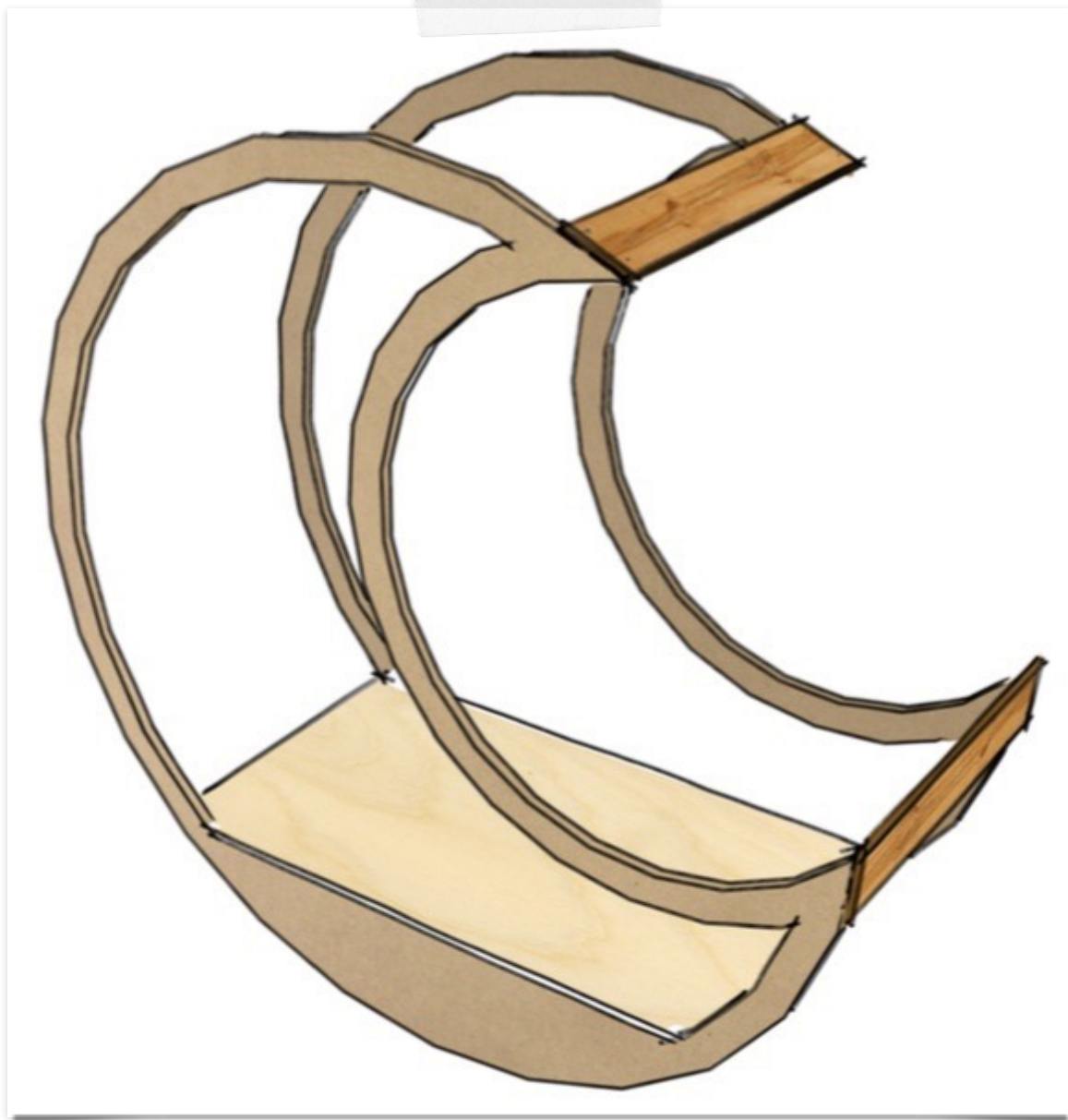
STEP 6

- Put the moon-shaped bases and the bottom together,
- Screw them tight.



STEP 7

- ▶ Add the first part of pallet wood on the outside, so the frame will get some more stability,
- ▶ Screw the pallet wood onto the frames. Make sure to pre-drill the holes for the screws and to countersink them.



STEP 8

- ▶ Cover the complete outside of the frame with pallet wood except the bottom for ventilation and a bit of stability,
- ▶ You can leave a bit of space between the planks for ventilation and light.



STEP 9

- ▶ Cut the pallet planks with a jigsaw in the right shape,
- ▶ Sand the planks,
- ▶ Cover the sides with pallet wood and screw them on the MDF frame,
- ▶ Make sure your pre-drill the holes and countersink the screws.



STEP 10:

- ▶ Cut out the stars with a jigsaw,
- ▶ Make a wedge so the cradle can't tumble backwards,
- ▶ You can finish the cradle with a white-wash varnish.



You've made it?
Send us some pictures on
1001Pallets.com and we will
share them!



SOME PICTURES



A Tutorial by Jochem Dijkstra in collaboration with 1001Pallets. Video of the overall process here: <https://www.youtube.com/watch?v=eIHkMd1za2o>.

This half-moon cradle was inspired from « Le Berceau Lune d'Heidi » by Crème Anglaise: <http://www.cremeanglaisebabyandchild.com> & <http://www.cremeanglaise.bigcartel.com>

For more pallet tutorials, please visit our website:

www.1001pallets.com

This Tutorial is intended to help you in the making of projects using repurposed pallets. It shows you the routine steps for any DIY project. You are the only one responsible for using cautiously all the tools you may use to reproduce, even partially, the object described in the present tutorial. 1001pallets.com and its partners shall not be liable for any accidents or damage happening when performing work at home.